

137

**Dr. RAJENDRA PRASAD CENTRAL AGRICULTURAL UNIVERSITY, BIHAR  
PUSA , SAMASTIPUR - 848125**

No. : 70 /FA / DRPCAU, Pusa

Date: 28 / 05 / 2020

**NOTICE INVITING TENDER**

***For the plantation of roadside avenue, making tree gourd, ground cover, waste water utilization filter and drip irrigation system etc.***

Sealed quotations are invited in two bid system – (1) Technical Bid & (2) Financial Bid from reputed firms with sufficient work experience for the plantation of roadside avenue, making tree gourd, ground cover, waste water utilization filter and drip irrigation system etc. The details can be downloaded from our website [www.rpcau.ac.in](http://www.rpcau.ac.in). The NIT should reach to the **Dean Agriculture, Dr.RPCAU, Pusa (Samastipur)- 848 125, Bihar** on or before **30<sup>th</sup> June,2020** through registered post/speed post only.

**Dean , Agriculture**

No. : 70 /FA / DRPCAU, Pusa

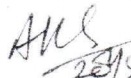
dated : 28 / 05 / 2020

Copy forwarded to **Consultant**, Publication and Information, RPCAU, Pusa with a request to publish the above quotation notice (size 8 x 8 cm approx) daily News paper once in Bihar Edition on DAVP rates. The bill in duplicate along with the tear sheet of the advertisement may kindly be sent to the undersigned for payment.

  
**Dean , Agriculture**

**CC to : O/I, ARIS Cell, RPCAU, Pusa** (along with the soft copy and hard copy) with a request to place the quotation notice and bidding documents on the University website : [www.rpcau.ac.in](http://www.rpcau.ac.in)

  
**Dean , Agriculture**

  
28/5

12

**B. TECHNICAL BID:** Please furnish the following information in this part so as to enable the panel to decide about the qualification & the technical bid necessary documents/certificates from the appropriate authority must be attached in support of statement.

1	Application/forwarding letter.	
2	Name of the applicant/Quotation	
3	Address	
4	EEARNEST MONEY DEPOSIT ( EMD) Name of Bank	
5	Status of the Applicant/ quotationer	
6	Registration Certificate of the Firm, if any	
7	PAN No.	
8	Income Tax Clearance certificate of last year	
9	Annual Turn over, for the last year	
10	Experience Certificate of 3 yrs	
11	GST No. / Service Tax Registration	
12	Rate validity period	
13	<b>Scope of work</b>	
A	<b>Roadside avenue and flowering ground cover etc.</b> Roadside avenue from Kendriya Vidyalaya to Post office chok both side of the road. This area about 600 m length and 1.0 m width , planting of Royal palm at 5m plant to plant distance and in between two Royal palm 3 plants of Bougainvillea at 1 m spacing use as ground cover. Before plantation road side avenue path will be spading, leveling and filling of soil if require.	1 .Royal palm, size 6 -8' - 120 plant.  2. Bougainvillea, size 1.5-2' - 720 plant.
B	<b>Tree/plant gourds 120 Nos. for Royal palm plants, Dimensions 2 m X 1 m size triangular or squire with soil grouting etc.</b> (Bamboo will be provided by the University, only structure shall be made by the firm and treated with anti termite chemical and painting)	120 Nos. Tree/plant gourds.
C	<b>Sedimentation and filtration system.</b> 1. Supply and fitting of PVC sedimentation tank in the existing drainage system at one place before the filtration unit (1000 liter capacity, PVC tank) etc.	1 set
	2. Provision of Steel/Aluminum net of sufficient thickness and holes to filter waste materials for the drainage water etc.	2 set
	3. Provision of lifting of water from the PVC sedimentation tank to pass through one waste water filtration system with the help of required pumping system (1hp) etc., Waste water filter will be provided by University.	1 set
	4. Provision of storage of filter water in one another PVC (HDPE) tank of 1000 liter capacity installed over PCC floor etc. along with 1hp pumping unit with other accessories for the irrigation of the area of garden.	1 set
	5. Construction of structure for the installation of pump filtration unit, PVC water tank of 1000 L capacity, wire fencing along the side and covered at top of the structure. Floor should be of PCC etc.	1 set

	6. Provision of one another PVC tank of 500 Liter capacity installed over PCC platform with all fittings for storage of filtered water at one another location near Mushroom center along with 1hp pumping unit with other accessories for the irrigation of the area of garden . Sub line of irrigation system will be connected to supply line and Lateral.	1 set
D	<b>Drip Irrigation System:</b> Provision of Drip Irrigation System in all filter water storage tank, area of drip line 300 m each, total length of drip in one side 600 m. The drip irrigation system were made both side plantation of the road, Road Cutting if required, with sub lines, PVC Pipes, Lateral Pipes, disc filter, Valves, Valves Boxes , Chambers as per the requirement. Arrangement of lateral line in loop form to each plant with required numbers of online drippers etc.	Length of one side road - 600 m. Drip irrigation system installation both side plantation of the road.
Note	Make a visit of DRPCA, Pusa campus/site to understand the nature of work and feasibility	

### C. FINANCIAL BID

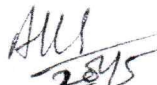
1	Forwarding Letter for the store to be supplied		
2	Name of the tenderer/quotationer		
3	Address		
4	Status of the applicant		
5	Mode of Supply Direct/through agent		
6:			
Sl. No.	Work/ Unit	Estimated No./Area/ units	Rate /plant/ unit Basis
A	<b>Roadside avenue and flowering ground cover etc:</b> Roadside avenue from Kendriya Vidyalaya to Post office chok both side of the road. This area about 600 m length and 1.0 m width , planting of Royal palm at 5m plant to plant distance and in between two Royal palm 3 plants of Bougainvillea at 1 m spacing use as ground cover. Before plantation road side avenue path will be spading, leveling and filling of soil if require.	1.Royal palm, size 6 -8' – 120 plant.  2.Bougainvillea, size 1.5-2' – 720 plant.	
B	<b>Tree/plant gourds 120 Nos. for Royal palm plants, Dimensions 2 m X 1 m size triangular or square with soil grouting etc.</b> (Bamboo will be provided by the University, only structure shall be made by the firm and treated with anti termite chemical and painting)	120 Nos. Tree/plant gourds.	
C	<b>Sedimentation and filtration system.</b> 1. Supply and fitting of PVC sedimentation tank in the existing drainage system at one place before the filtration unit (1000 liter capacity, PVC tank) etc.	1 set	
	2. Provision of Steel/Aluminum net of sufficient thickness and holes to filter waste materials for the drainage water etc.	2 set	
	3. Provision of lifting of water from the PVC sedimentation tank to pass through one waste water filtration system with the help of required pumping system (1hp) etc., Waste water filter will be provided by University.	1 set	

	4. Provision of storage of filter water in one another PVC (HDPE) tank of 1000 liter capacity installed over PCC floor etc. along with 1hp pumping unit with other accessories for the irrigation of the area of garden.	1 set	
	5. Construction of structure for the installation of pump filtration unit, PVC water tank of 1000 L capacity, wire fencing along the side and covered at top of the structure. Floor should be of PCC etc.	1 set	
	6. Provision of one another PVC tank of 500 Liter capacity installed over PCC platform with all fittings for storage of filtered water at one another location near Mushroom center along with 1hp pumping unit with other accessories for the irrigation of the area of garden . Sub line of irrigation system will be connected to supply line and Lateral.	1 set	
<b>D</b>	<b>Drip Irrigation System:</b> Provision of Drip Irrigation System in all filter water storage tank, area of drip line 300 m each, total length of drip in one side 600 m. The drip irrigation system were made both side plantation of the road, Road Cutting if required, with sub lines, PVC Pipes, Lateral Pipes, disc filter, Valves, Valves Boxes , Chambers as per the requirement. Arrangement of lateral line in loop form to each plant with required numbers of online drippers etc.	Length of one side road - 600 m. Drip irrigation system installation both side plantation of the road.	
<b>7</b>	Amount		
<b>8</b>	Add GST		
<b>9</b>	<b>Total amount</b> (Price inclusive of all taxes)		

**CHECK LIST**

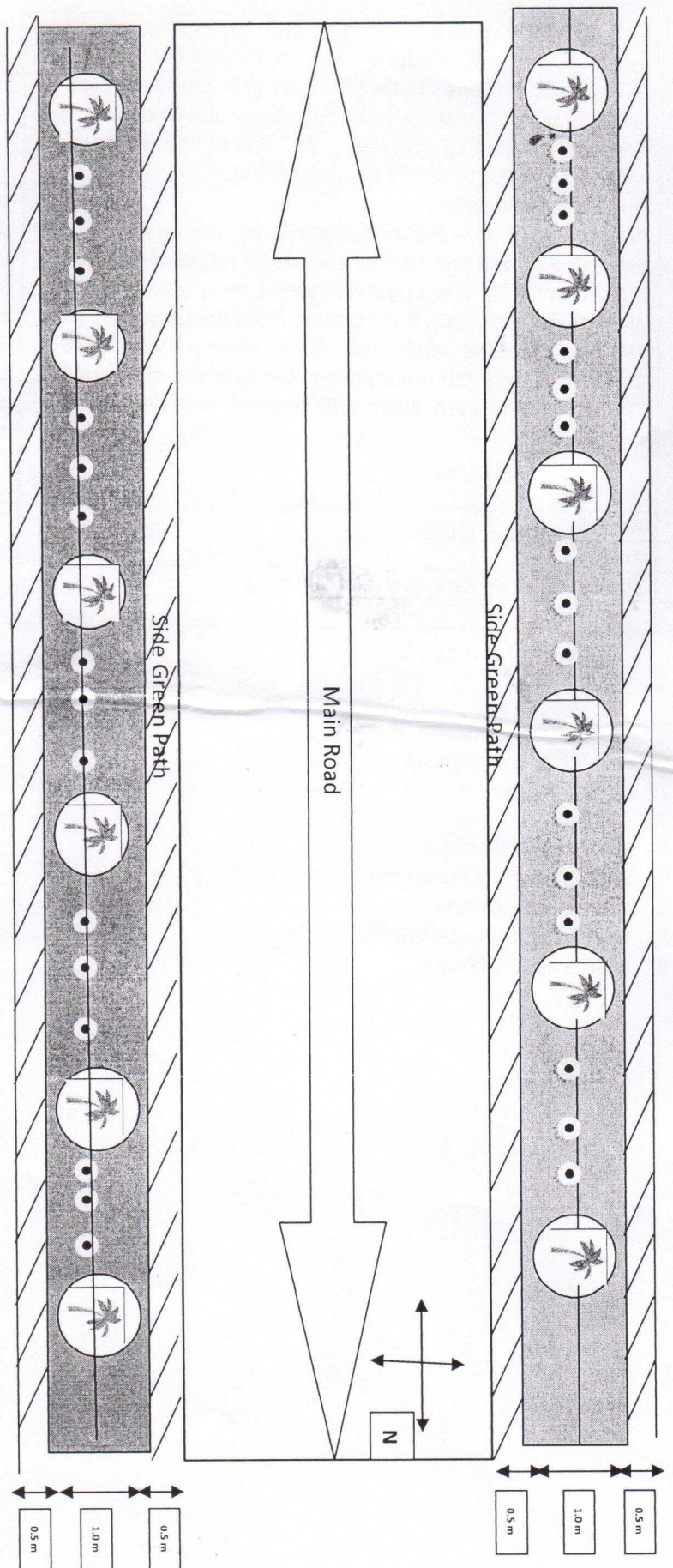
1. Earnest Money Deposit
2. Covering letter
3. GST No.
4. Income Tax Clearance
5. Annual Financial Statement
6. Recent Work Orders
7. Firm Registration Certificate
8. Experience Certificate



  
 28/5/2020  
 Dean, Agriculture

  
 28/5

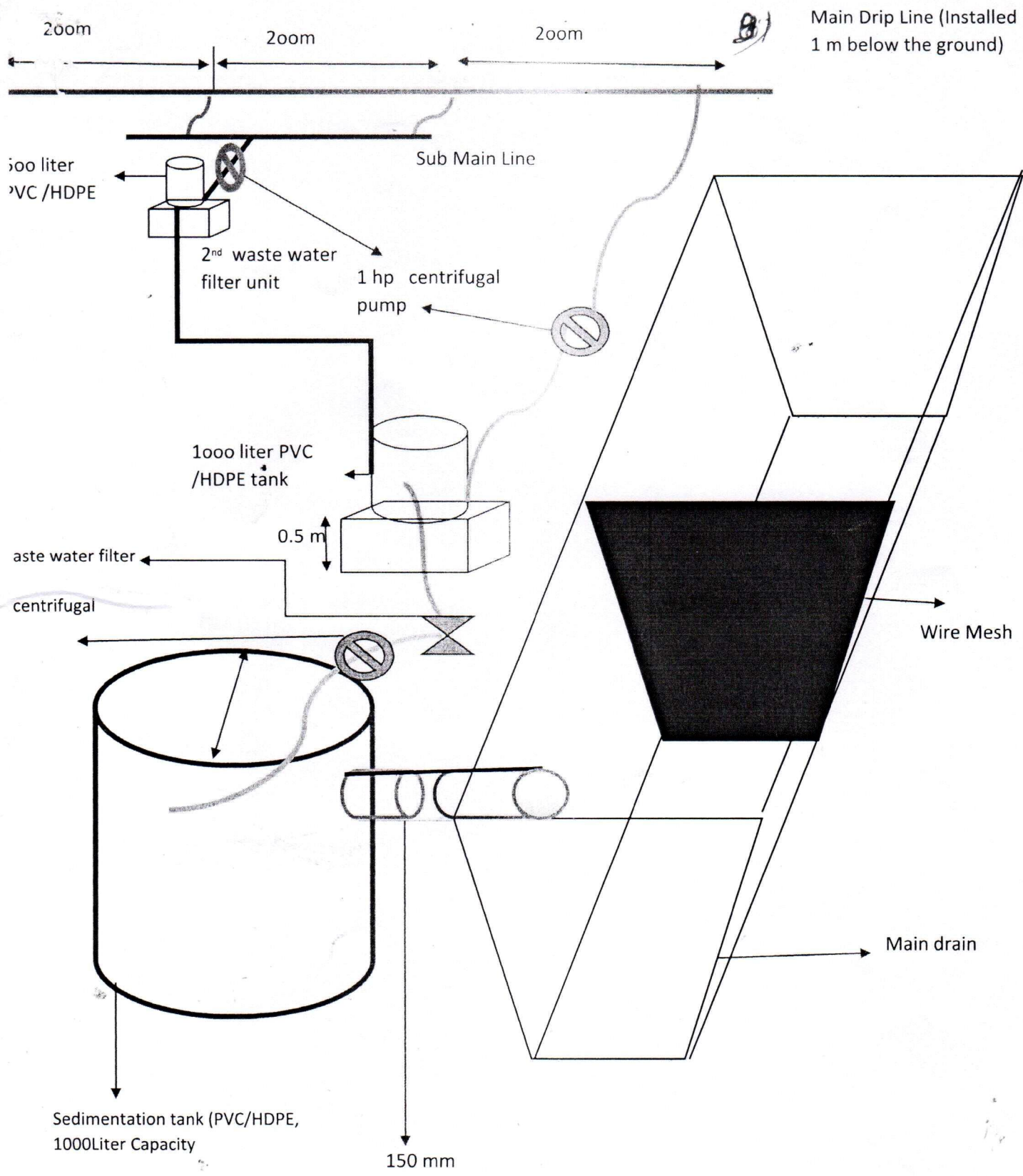
19

Layout for avenue plantation from Kendriya Vidyalaya to Post Office Chowk, Pusa



 ..... Royal palm (Plant-to-plant distance=5m)  
 ..... Bougainvillea (Plant-to-plant distance=1m)  
\*\*\* ..... Drip line for irrigation

*MS 12/14*



Tentative Plan for using Waste Water for Irrigation through Drip